

February 2025

# JUPITER JTB1160 SERIES PRODUCT CIRCULAR



- Development Background
- Product Positioning
- Target Audience
- Product Introduction
- Product Specifications, Features and Benefits
- Order Information
- Project Schedule

JTB1160

# DEVELOPMENT BACKGROUND



JUPITER.



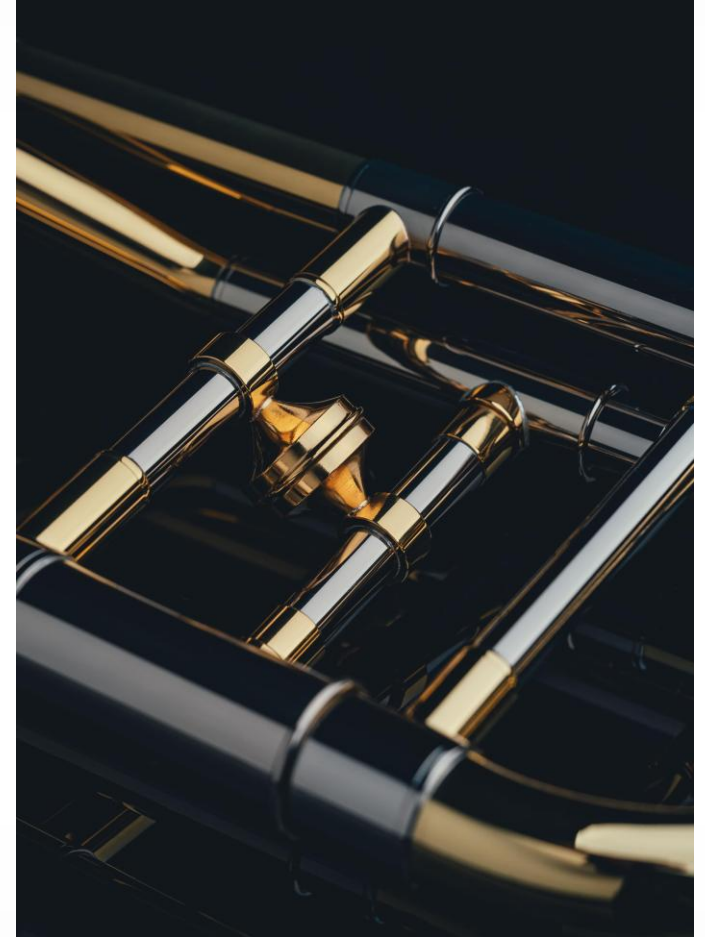
# Development Background



For nearly two decades, the Jupiter 1150 series has set the standard for advanced trombones, earning the trust of musicians worldwide. Our observations indicate that there is a segment within the intermediate market with higher and more professional demands for specifications. Now, we take that legacy even further.

The JTBI160 series represents a bold evolution in design and performance. With a refined wrap structure, it introduces a sleek, modern look. The Open Wrap model is equipped with a newly engineered counterweight, enhancing balance and tonal focus. Additionally, the integration of one-piece construction in the tubing and slides maximizes efficiency and response, ensuring a superior playing experience.

The Jupiter 1160 isn't just an upgrade—it's a breakthrough. This launch reaffirms our commitment to innovation and excellence, delivering an instrument that meets the highest expectations of advanced trombone players. We are fully dedicated to equipping musicians with the trombone they need to achieve their ideal performance. Now available worldwide—experience the next generation of Jupiter trombones.



JTB1160

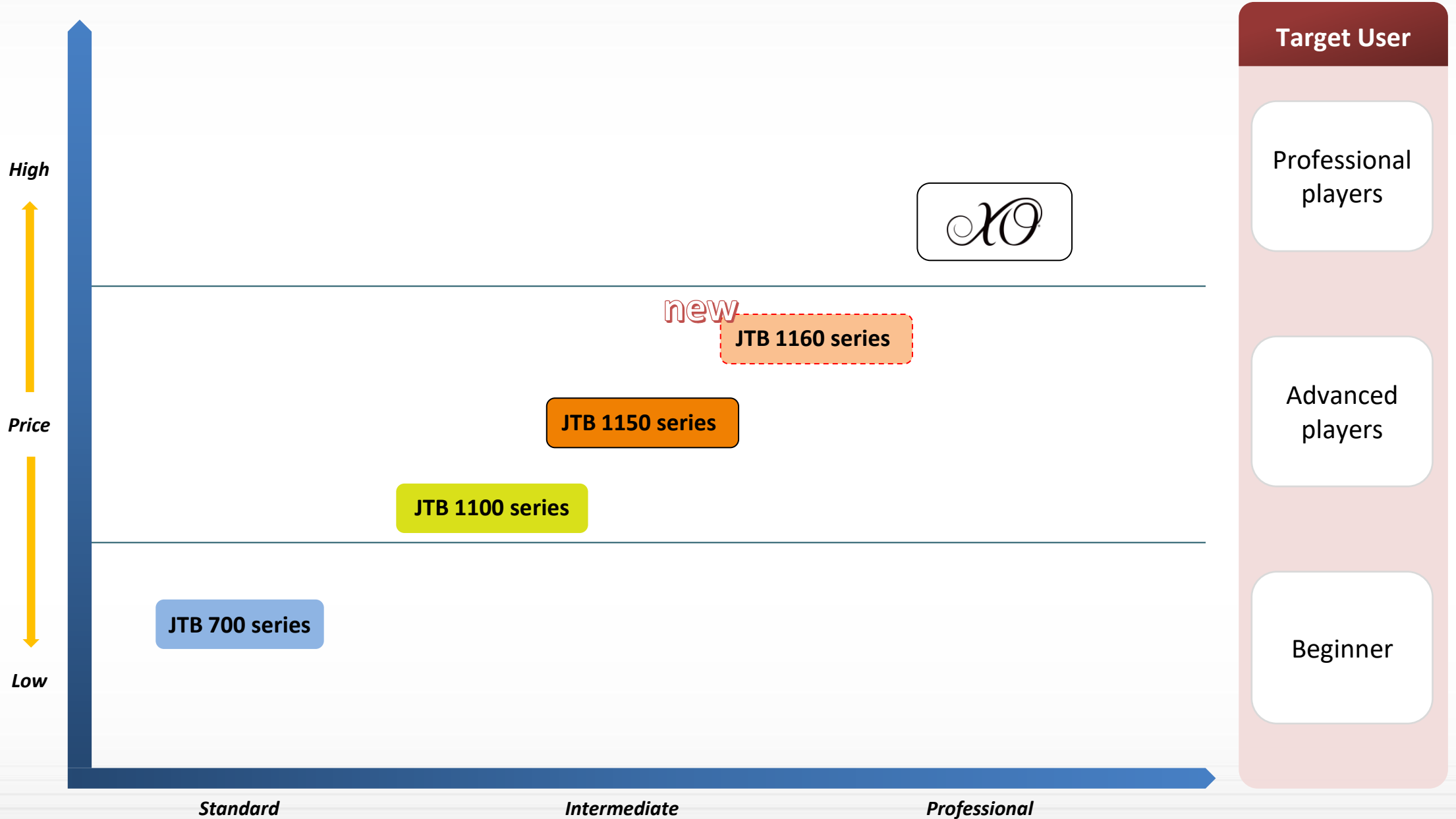
# PRODUCT POSITIONING



JUPITER.



# Product Positioning





## **New Product Positioning**

The JTB1160 series is a groundbreaking intermediate-level trombone that combines high-end design, precision manufacturing, premium materials, excellent playability, and reliable performance. Positioned between entry-level and professional models, the JTB1160 is ideal for dedicated musicians seeking professional-level expression and tonal stability. This series allows advancing players to elevate their performance without stepping into the professional price range.

## **Professional Features at an Intermediate Price**

Featuring two distinct wrap designs and exceptional craftsmanship, the JTB1160 incorporates elements typically found in high-end instruments. These features provide greater stability and refined performance, offering advancing players professional-level qualities at a reasonable cost.

## **Enhanced Musical Expression**

Whether in solo, ensemble, or jazz settings, the JTB1160 delivers a responsive feel, precise intonation, and rich tonal flexibility. Musicians can confidently perform across various musical styles, fully expressing their musicality with ease.

JTB1160

# TARGET AUDIENCE






JUPITER.





For trombone players advancing to the next level, the JTB1160 series is designed to support your skill development and musical expression. Whether you are performing in an ensemble, a symphony orchestra, or delivering an expressive solo, the JTB1160 provides precise performance, tonal flexibility, and exceptional control to elevate your playing to the next level.

-  **For Band & Ensemble Players:** Achieve excellent intonation, blend effortlessly with band section, and maintain a rich, focused tone.
-  **For Soloists:** Unlock a wide range of tonal expressions that naturally respond to your musical interpretation, providing more opportunities for musical expression.
-  **For Students & Educators:** A reliable instrument that fosters your musical growth and supports you at every stage of your journey.

In every stage of your trombone journey, Jupiter is always your first choice.

JTB1160

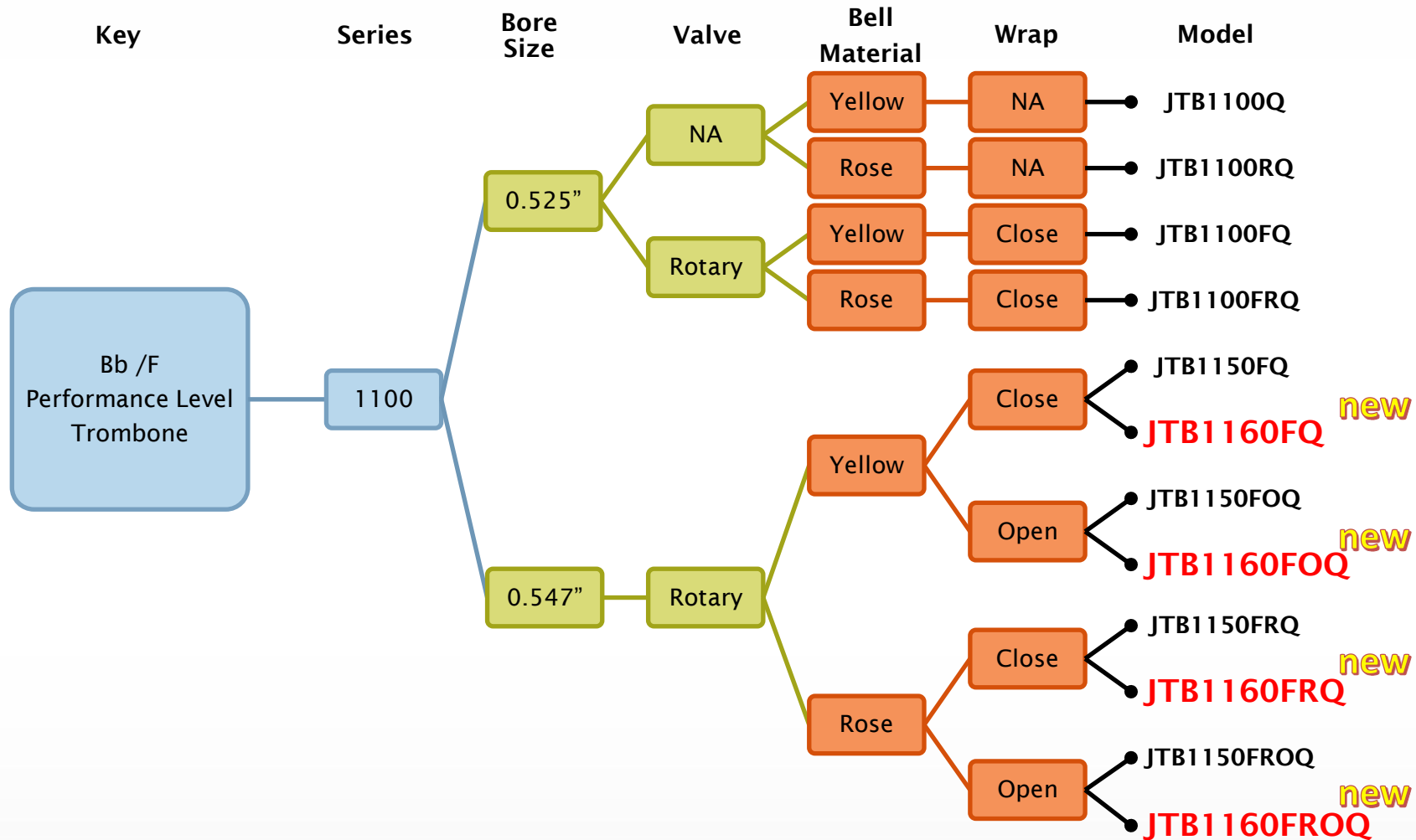
# PRODUCT INTRODUCTION



JUPITER.



# Jupiter Trombone Product Line up- 1100 Performance Level



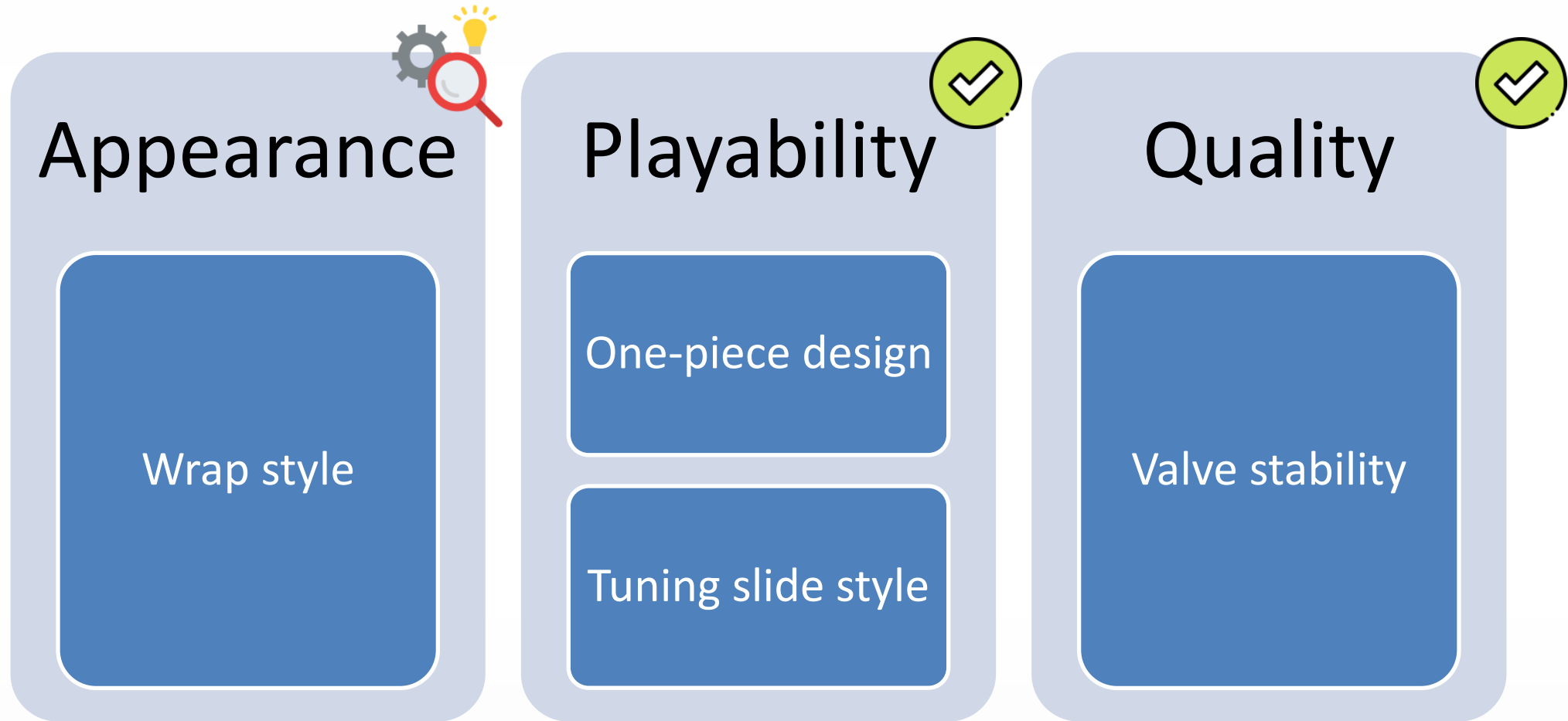
JTB1160

# FEATURES AND BENEFITS



JUPITER.

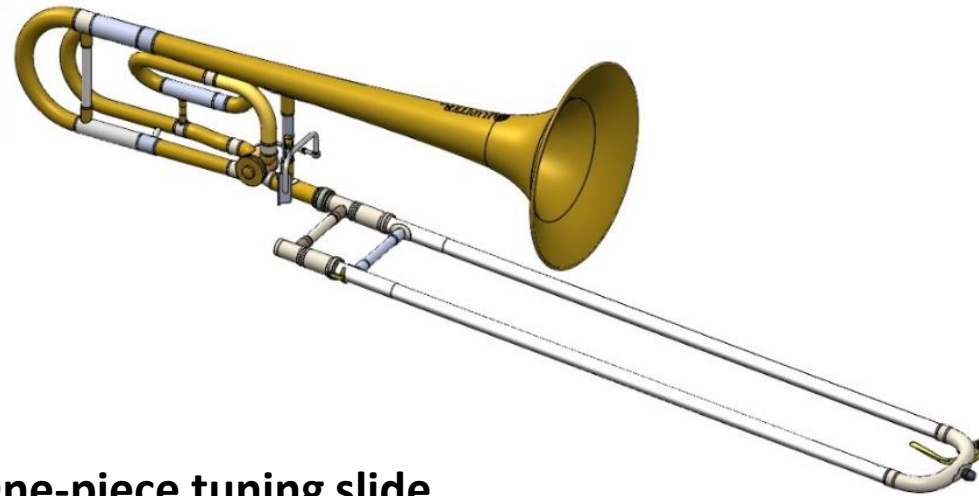
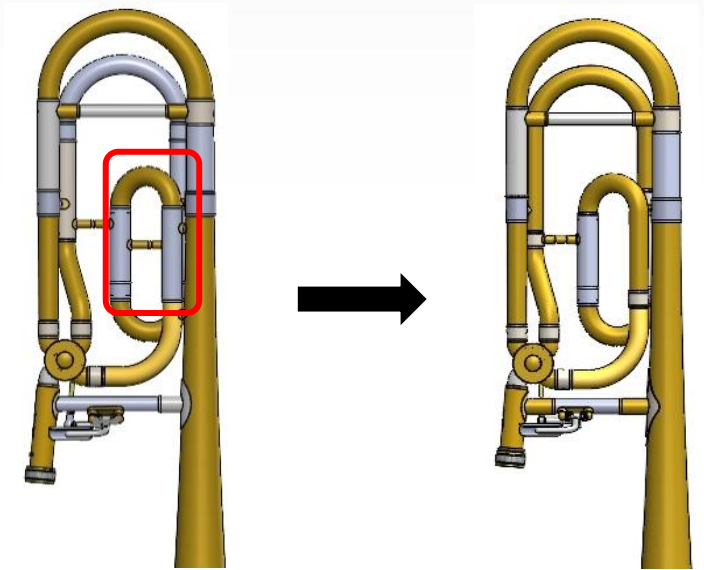




# JTB1 160F Product Highlights

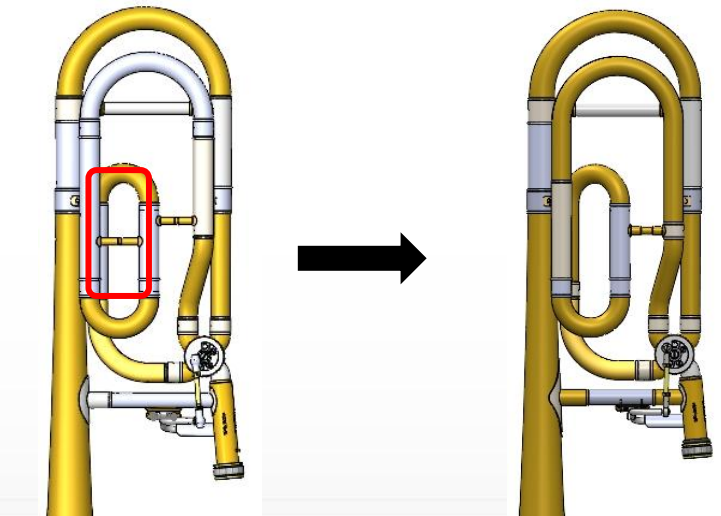


Wrap Design



One-piece tuning slide

Reduce airflow consumption

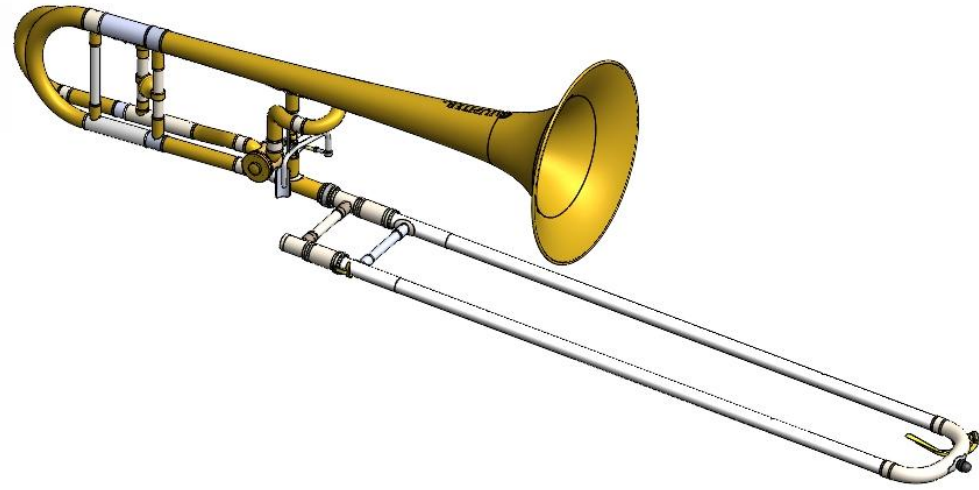
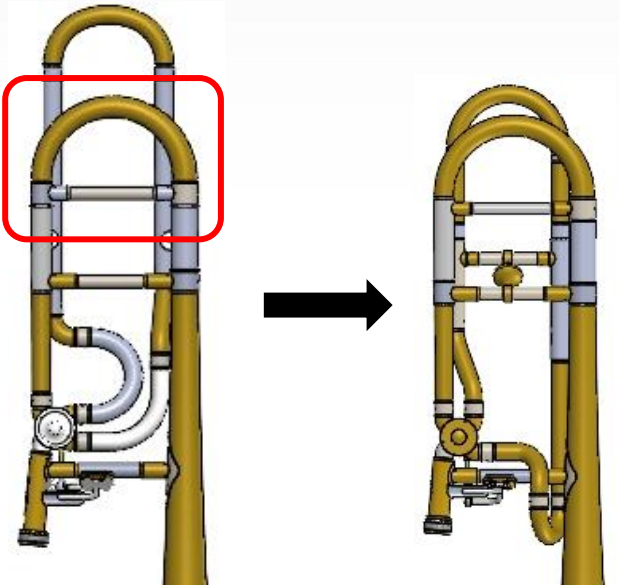


Remove the brace on F attachment

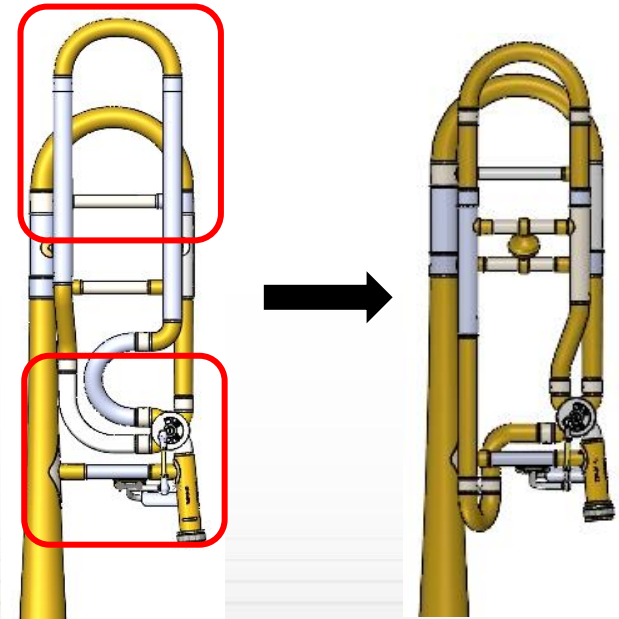
Easier to blow

# JTB1 160FO Product Highlights

Wrap Design



Reverse-style design on the main tuning slide  
**Easier to blow**

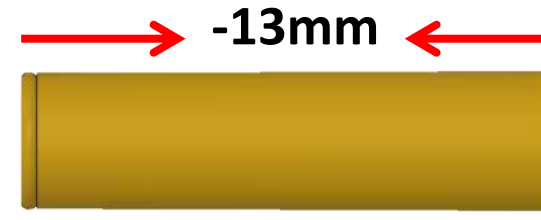
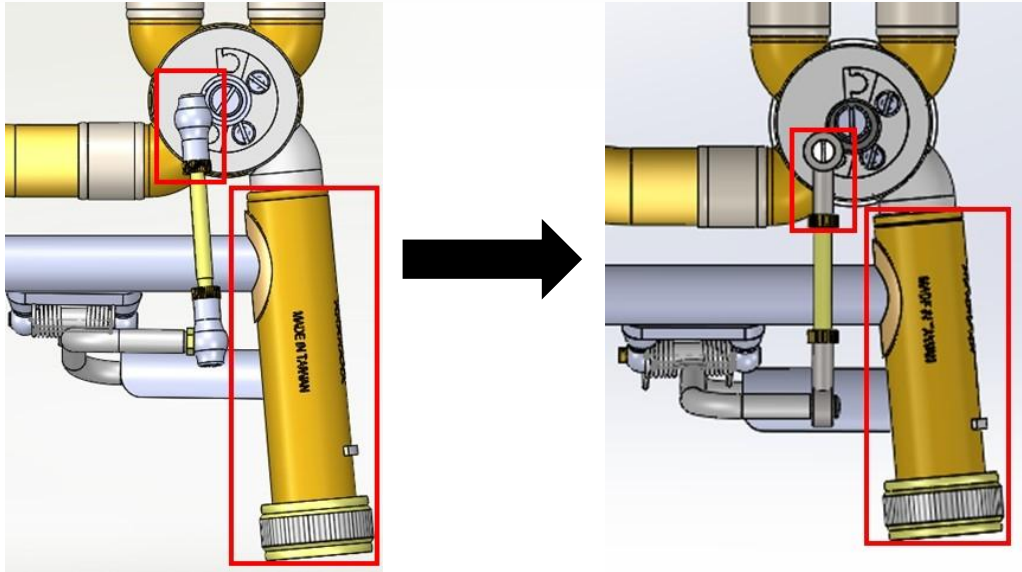


Redesign the F attachment and the wrap structure  
**Unique appearance and a more focused sound**

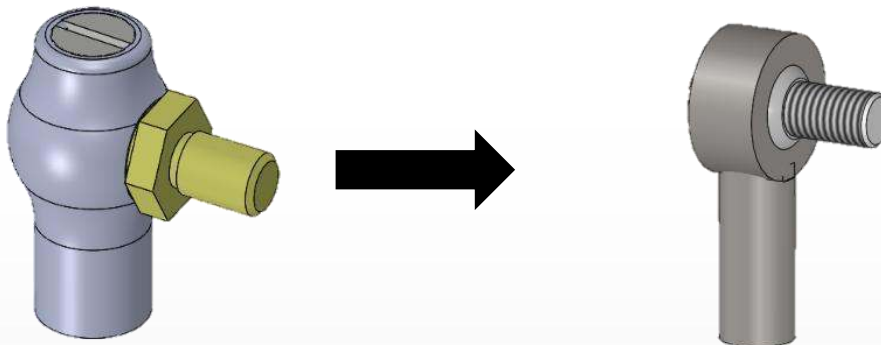
# JTB1 160FO Product Highlights

Wrap Design

Valve Upgrade



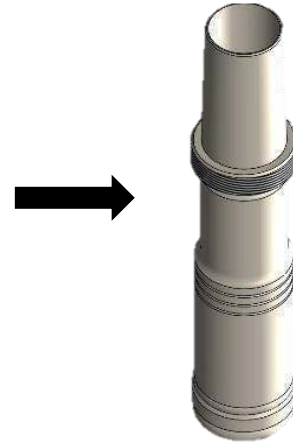
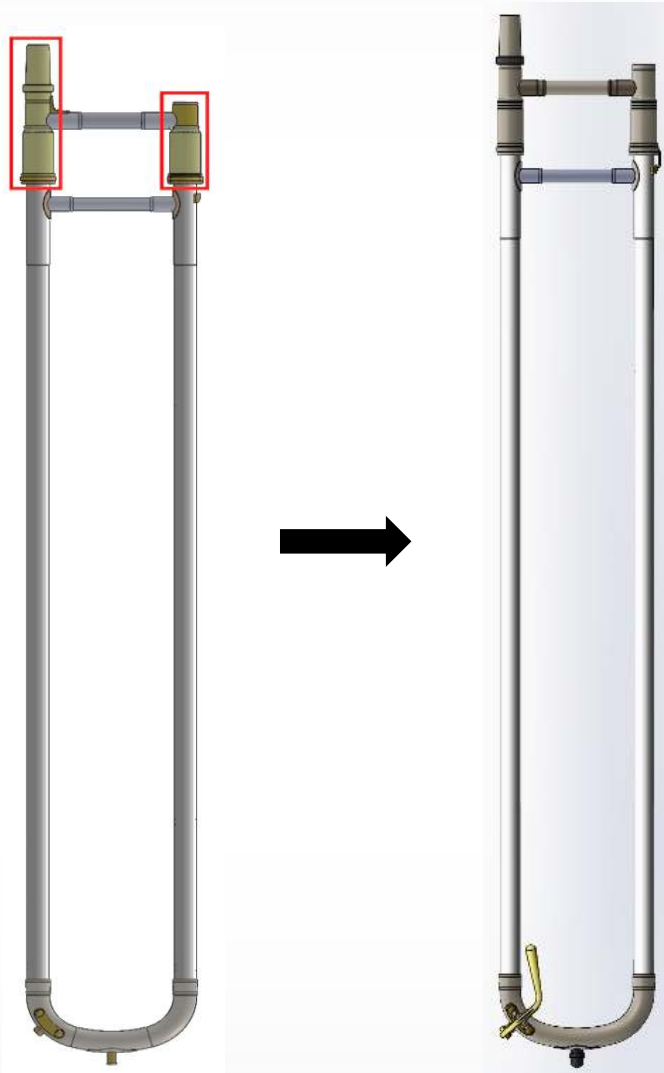
Shorten the hand slide receiver from 70mm to 57mm  
Increase comfort when gripping



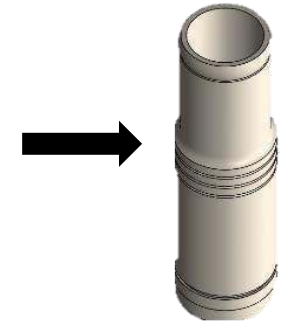
Redesign the lever joint with Miniball system  
Provide a more stable rotary operation

# JTB1 160FO Product Highlights

One-piece Design



One-piece Hand Slide Receiver

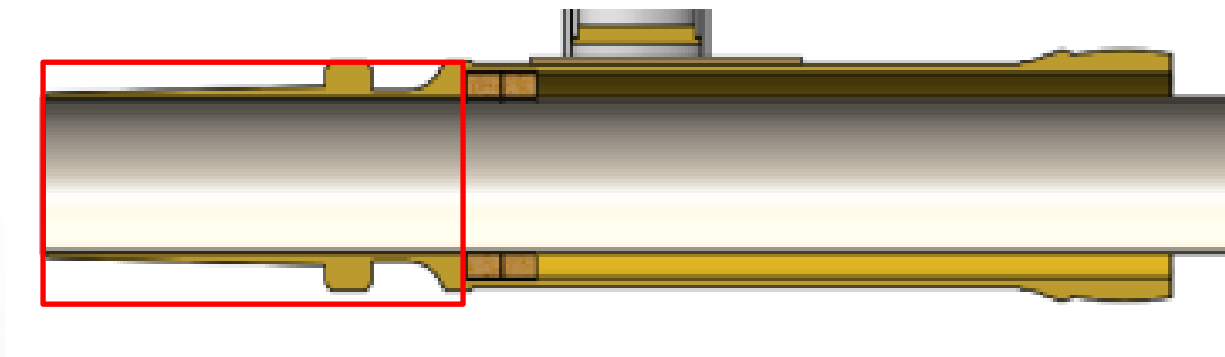
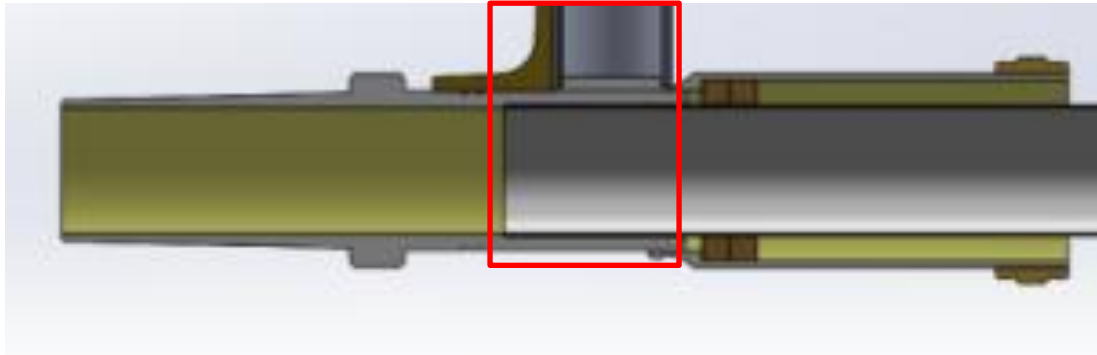


One-piece Mouthpiece Receiver

**Aim to enhance smooth airflow, reduce air loss**

# JTB1 160FO Product Highlights

One-  
piece  
Design



- Increased soldering length from 22 to 40mm.
- Optimizing the stability of slide.
- Reducing seams in inner tube, easier to blow.

**Improve the stability of the leadpipe.**

**Easier to blow, requiring less effort**

JTB1160

# ORDER INFORMATION



JUPITER.



# Order information



Model		Package					
<b>JTB1160FQ</b>	<b>Product Code</b>	<b>Length (mm)</b>	<b>Width (mm)</b>	<b>Height (mm)</b>	<b>cbm</b>	<b>G.W.(kg)</b>	<b>N.W.(kg)</b>
	PWBCX0000062	1020	280	420	0.120	7.8	6.8
	UPC	635464117690					
<b>JTB1160FRQ</b>	<b>Product Code</b>	<b>Length (mm)</b>	<b>Width (mm)</b>	<b>Height (mm)</b>	<b>cbm</b>	<b>G.W.(kg)</b>	<b>N.W.(kg)</b>
	PWBCX0000061	1020	280	420	0.120	7.8	6.8
	UPC	635464117683					
<b>JTB1160FOQ</b>	<b>Product Code</b>	<b>Length (mm)</b>	<b>Width (mm)</b>	<b>Height (mm)</b>	<b>cbm</b>	<b>G.W.(kg)</b>	<b>N.W.(kg)</b>
	PWBCX0000060	1020	280	420	0.120	8	7
	UPC	635464117676					
<b>JTB1160FROQ</b>	<b>Product Code</b>	<b>Length (mm)</b>	<b>Width (mm)</b>	<b>Height (mm)</b>	<b>cbm</b>	<b>G.W.(kg)</b>	<b>N.W.(kg)</b>
	PWBCX0000059	1020	280	420	0.120	8	7
	UPC	635464117669					

<b>JKC-TB46FU</b>	<b>Product Code</b>	<b>Length (mm)</b>	<b>Width (mm)</b>	<b>Height (mm)</b>	<b>cbm</b>	<b>G.W.(kg)</b>	<b>N.W.(kg)</b>
	KOWTAX210026	1020	280	420	0.120	5.8	4.1
	UPC	635464901138					



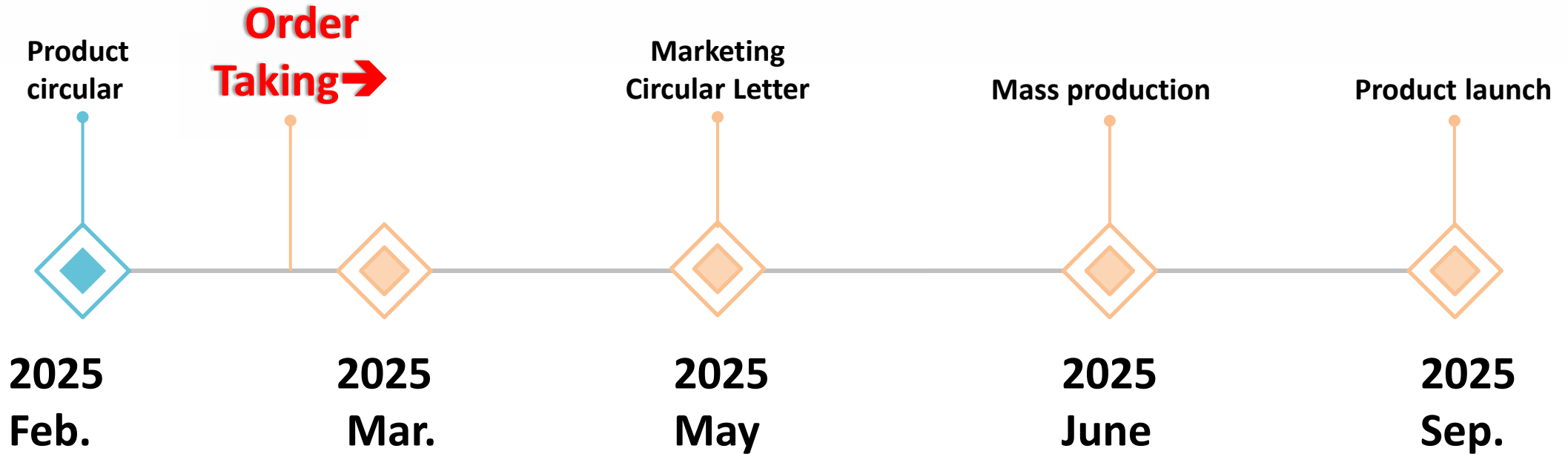
JTB1160

# SCHEDULE



JUPITER.





- We are now accepting orders. Orders placed before March 5<sup>th</sup> will be shipped in June 2025, the first mass production month.
- The Marketing Circular Letter will be released in May 2025.
- The official global launch is scheduled for September 2025, with the exact date to be announced in the Marketing Circular Letter.

We appreciate your cooperation and understanding.  
For questions and concerns, please contact our sales managers.  
Thank you for your continued support of K.H.S. Musical Instruments.

Best regards,

Jamie Chang  
Wind Product Manager  
Global Marketing Center  
K.H.S. Musical Instrument Co., Ltd.



THANK YOU